



**ASHBURN
VAULT COMPANY, Inc.**
18 Washburn Way
Hinsdale, NH 03451

Precast Concrete • Redi Mix

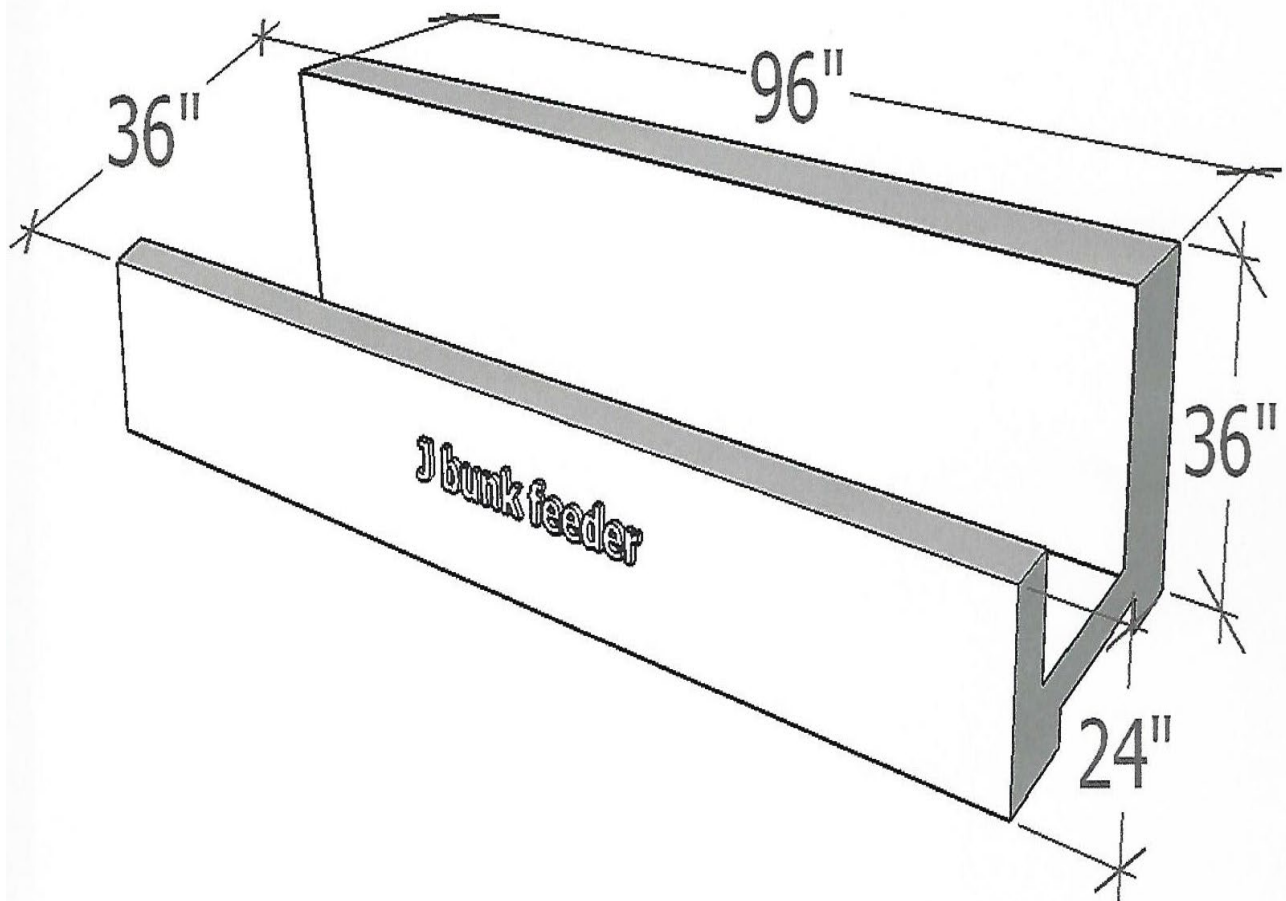
NOTES:

*Reinforcing steel deformed bars conform to latest ASTM specifications.

*Concrete compressive strength 4000 PSI at 28 days.

*Method of manufacture: Wet Cast

*Section is Monolithic



J BUNK FEEDER

Phone: 603-256-6891

E-MAIL: WASHBURNVAULT@YAHOO.COM

WEIGHT: 2,500 LBS.

DATE: 1/1/2017