



**ASHBURN
AULT COMPANY, Inc.**
18 Washburn Way
Hinsdale, NH 03451

Precast Concrete • Redi Mix

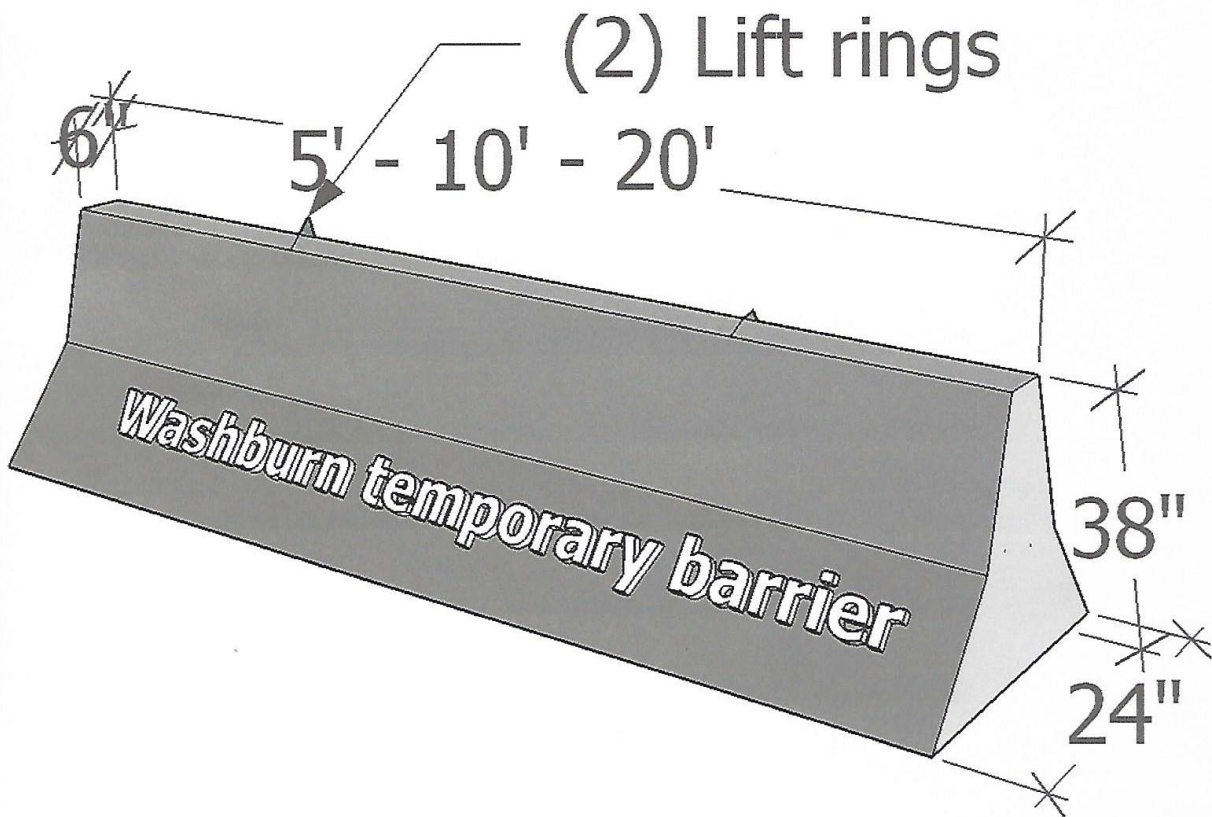
NOTES:

*Reinforcing Steel Deformed bars conform to latest
ASTM specification A615.

* Concrete compressive strength 4000 PSI at 28 days.

*Method of manufacture: Wet Cast

*Section is Monolithic



WASHBURN TEMPORARY BARRIER

Phone: 603-256-6891

WEIGHT: 3,000 LBS. / 5'

E-MAIL: WASHBURNVAULT@YAHOO.COM

DATE: 1/1/2017