



**ASHBURN
AULT COMPANY, Inc.**
18 Washburn Way
Hinsdale, NH 03451

Precast Concrete • Redi Mix

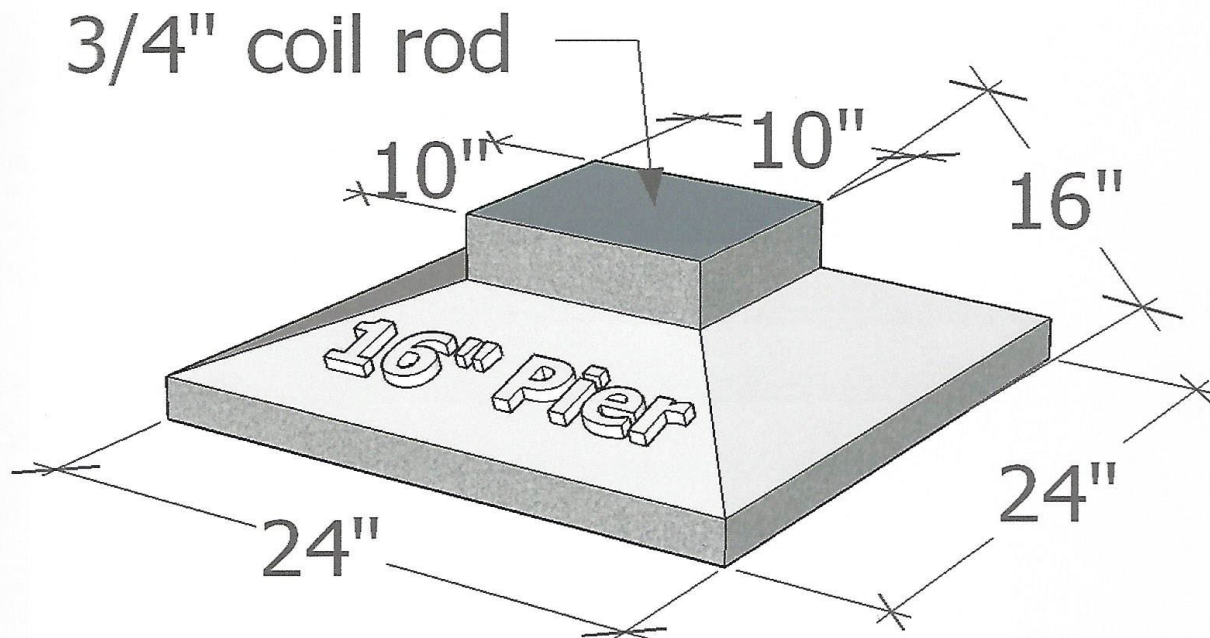
NOTES:

*Reinforcing steel deformed bars conforms to the latest ASTM specifications A615

*Concrete compressive strength 4000 PSI at 28 days.

*Method of manufacture: Wet Cast

*Section is Monolithic



16" PIER

Phone: 603-256-6891

E-MAIL: WASHBURNVAULT@YAHOO.COM

WEIGHT: 300 LBS.

DATE: 1/1/2017