



**ASHBURN
VAULT COMPANY, Inc.**
18 Washburn Way
Hinsdale, NH 03451

Precast Concrete • Redi Mix

NOTES:

*Reinforcing Steel Deformed bars conform to latest ASTM specification A615.

*Reinforcing steel welded wire fabric conforms to latest ASTM specifications A185

*Concrete compressive strength 5000 PSI at 28 Days

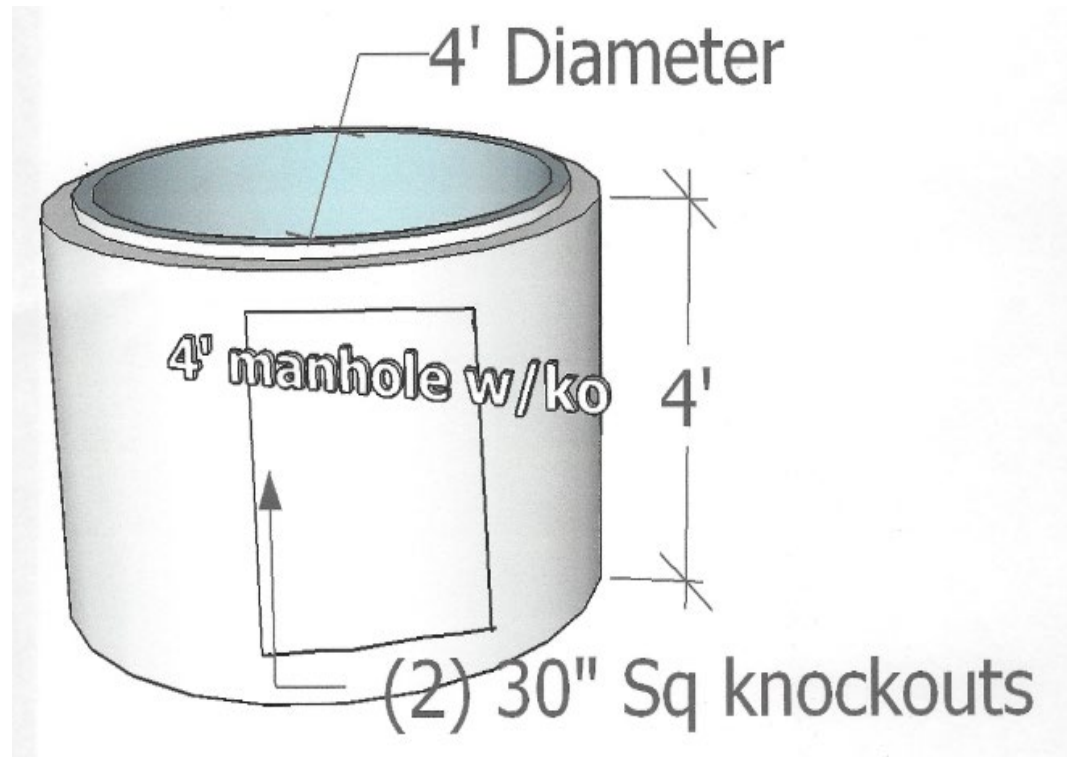
*Method of Manufacture: Wet Cast

*Section is Monolithic

*Manhole design specifications conform to latest ASTM C478

*Joint sealant conforms to latest AASHTO specification M-198

*3 1/2' base, 6" floor, (2) 30" Knockouts opposite sides



4' Manhole w/ knockouts

Phone: 603-256-6891

WEIGHT: 3,000 LBS.

E-MAIL: WASHBURNVAULT@YAHOO.COM

DATE: 1/1/2017