

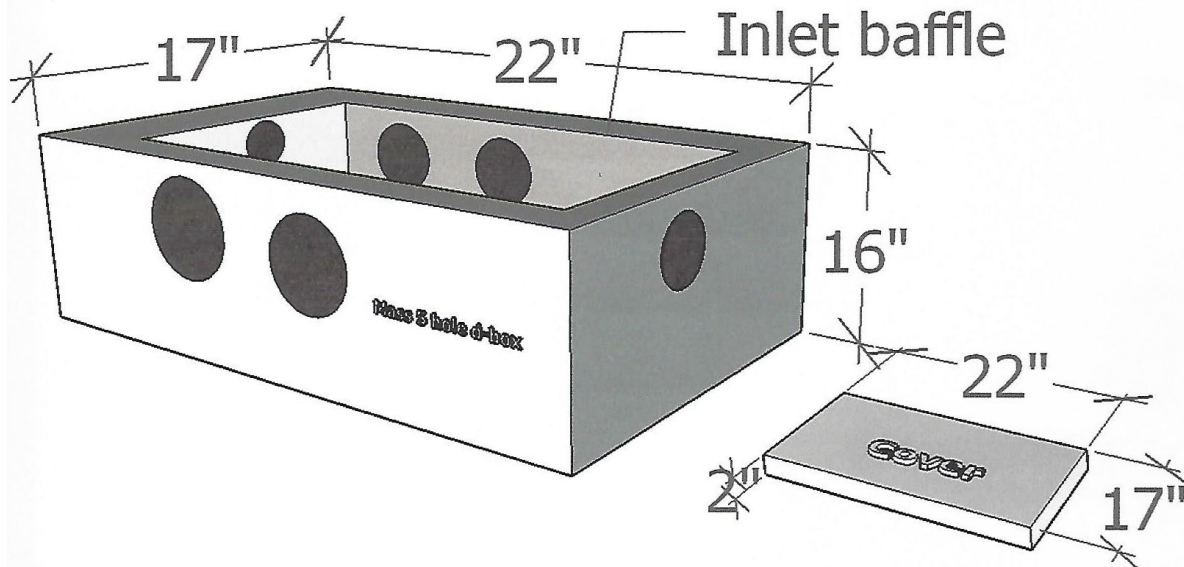


**ASHBURN  
VAULT COMPANY, Inc.**  
18 Washburn Way  
Hinsdale, NH 03451

*Precast Concrete • Redi Mix*

**NOTES:**

- \*Reinforcing Steel Deformed bars conform to latest ASTM specification A615.
- \* Concrete compressive strength 4000 PSI at 28 days.
- \*Method of manufacture: Wet Cast
- \*Section is Monolithic
- \*Pipe inlet and outlets have Polylok pipe seals



# MASS 5 HOLE D-BOX

WEIGHT: 230 lbs.

Phone: 603-256-6891

E-MAIL: WASHBURNVAULT@YAHOO.COM

DATE: 1/1/2017